

# DATA SHEET

## **TDA4565**

### Colour transient improvement circuit

Product specification  
File under Integrated Circuits, IC02

November 1989

## Colour transient improvement circuit

## TDA4565

### GENERAL DESCRIPTION

The TDA4565 is a monolithic integrated circuit for colour transient improvement (CTI) and luminance delay line in gyrator technique in colour television receivers.

### Features

- Colour transient improvement for colour difference signals (R-Y) and (B-Y) with transient detecting-, storage- and switching stages resulting in high transients of colour difference output signals
- A luminance signal path (Y) which substitutes the conventional Y-delay coil with an integrated Y-delay line
- Switchable delay time from 730 ns to 1000 ns in steps of 90 ns and additional fine adjustment of 50 ns
- Two Y output signals; one of 180 ns less delay

### QUICK REFERENCE DATA

PARAMETER	CONDITIONS	SYMBOL	MIN.	TYP.	MAX.	UNIT
Supply voltage (pin 10)		$V_P$	10.8	12	13.2	V
Supply current (pin 10)		$I_P$	–	35	50	mA
Y-signal delay at pin 12	S1 open; $R_{14-18} = 1.2 \text{ k}\Omega$ ; (note 1)					
$V_{15-18} = 0 \text{ to } 2.5 \text{ V}$		$t_{17-12}$	670	730	790	ns
$V_{15-18} = 3.5 \text{ to } 5.5 \text{ V}$		$t_{17-12}$	760	820	880	ns
$V_{15-18} = 6.5 \text{ to } 8.5 \text{ V}$		$t_{17-12}$	850	910	970	ns
$V_{15-18} = 9.5 \text{ to } 12 \text{ V}$		$t_{17-12}$	940	1000	1060	ns
Y-signal attenuation (R-Y) and (B-Y) signal attenuation	0.5 MHz	$\alpha_Y$	0	6.5	8.0	dB
output transient time		$\alpha_{cd}$	–1	0	+1	dB
		$t_{tr}$	–	100	200	ns

### Note

1. Delay time is proportional to resistor  $R_{14-18}$ .  
 $R_{14-18}$  also influences the bandwidth; a value of 1.2 k $\Omega$  results in a bandwidth of 5 MHz (typ.).

### PACKAGE OUTLINE

18-lead DIL; plastic (SOT102); SOT102-1; 1996 November 27.

Colour transient improvement circuit

TDA4565

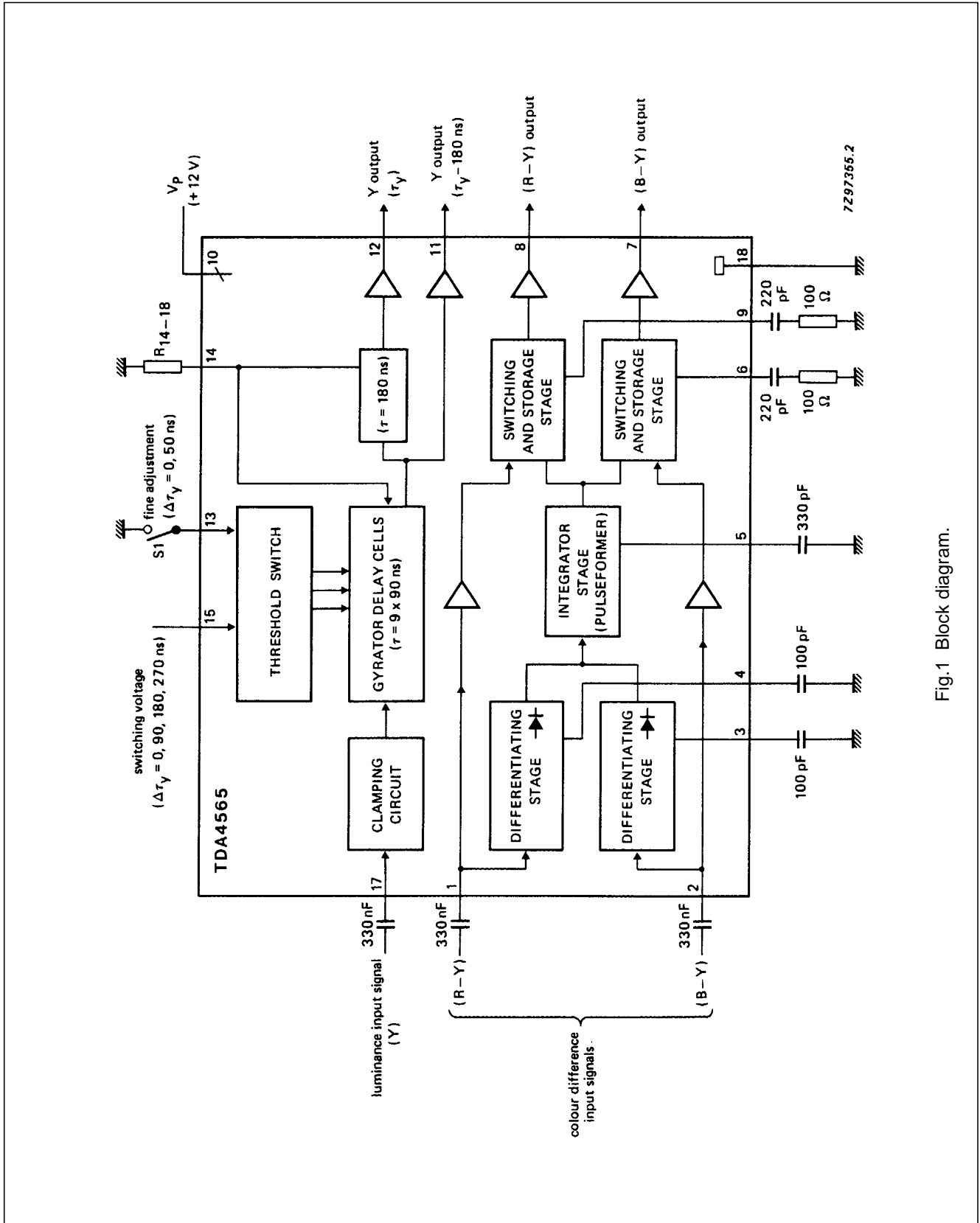


Fig.1 Block diagram.

Colour transient improvement circuit

TDA4565

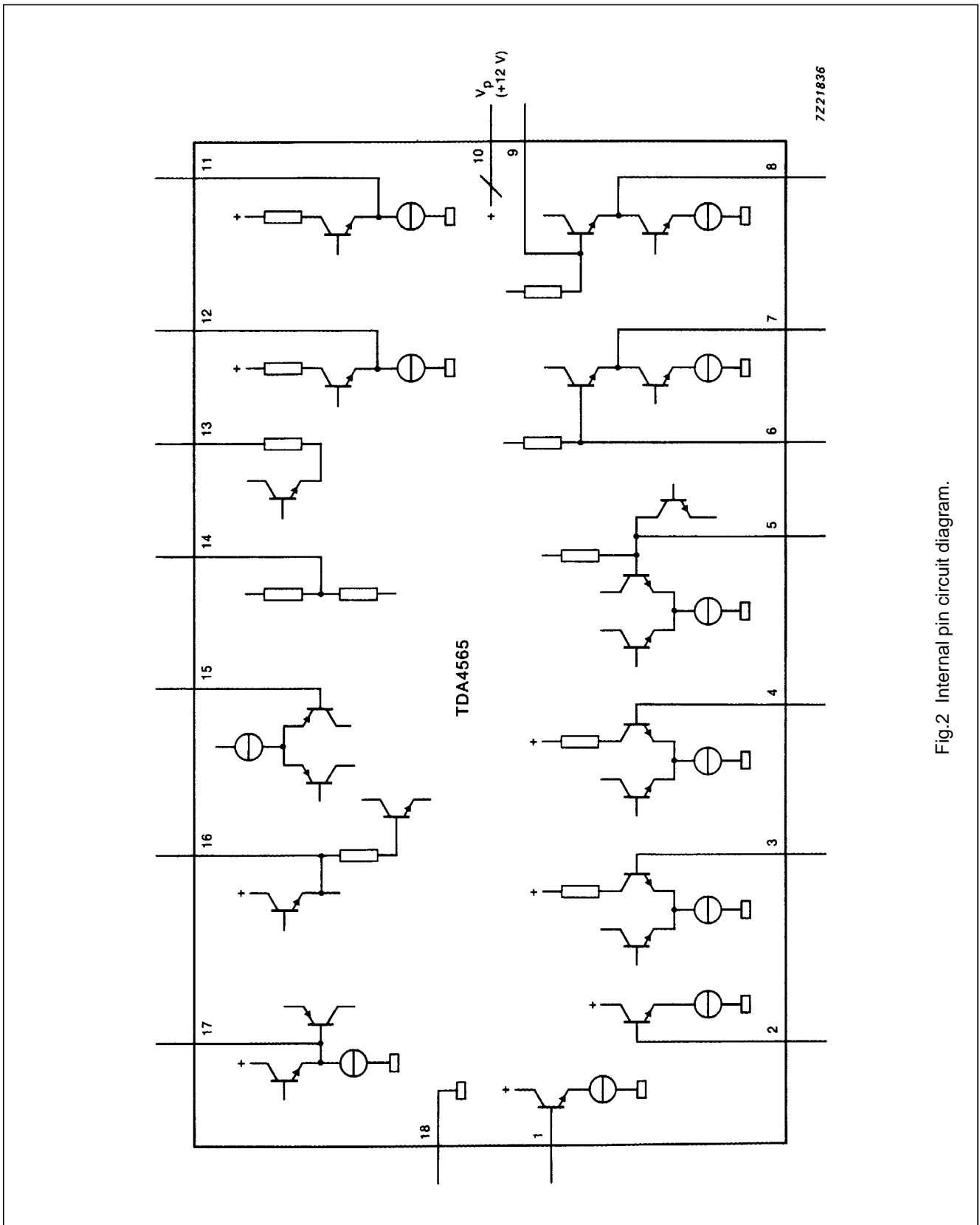


Fig.2 Internal pin circuit diagram.

## Colour transient improvement circuit

TDA4565

**RATINGS**

Limiting values in accordance with the Absolute Maximum System (IEC 134)

PARAMETER	SYMBOL	MIN.	MAX.	UNIT
Supply voltage range (pin 10)	$V_P = V_{10-18}$	0	13.2	V
Voltage ranges to pin 18 (ground)				
at pins 1, 2, 12 and 15	$V_{n-18}$	0	$V_P$	V
at pin 11	$V_{11-18}$	0	$(V_P - 3 \text{ V})$	V
at pin 17	$V_{17-18}$	0	7	V
Voltage ranges				
at pin 7 to pin 6	$V_{7-6}$	0	5	V
at pin 8 to pin 9	$V_{8-9}$	0	5	V
Currents				
at pins 6, 9	$I_{6,9}$	-10	+10	mA
at pins 7, 8, 11 and 12	$I_{7,8,11,12}$	internally limited		
Total power dissipation ( $T_j = 150 \text{ }^\circ\text{C}$ ; $T_{\text{amb}} = 70 \text{ }^\circ\text{C}$ )	$P_{\text{tot}}$	-	1.1	W
Storage temperature range	$T_{\text{stg}}$	-25	+150	$^\circ\text{C}$
Operating ambient temperature range	$T_{\text{amb}}$	0	+70	$^\circ\text{C}$

**THERMAL RESISTANCE**

From junction to ambient (in free air)

$$R_{\text{th}j-a} = 70 \text{ K/W}$$

**Note**

1. Pins 3, 4, 5, 6, 9, 13 and 14 DC potential not published.

## Colour transient improvement circuit

## TDA4565

**CHARACTERISTICS**

$V_P = V_{10-18} = 12\text{ V}$ ;  $T_{\text{amb}} = 25\text{ °C}$ ; measured in application circuit Fig.3; unless otherwise specified

PARAMETER	CONDITIONS	SYMBOL	MIN.	TYP.	MAX.	UNIT
<b>Supply (pin 10)</b>						
Supply voltage		$V_P$	10.8	12	13.2	V
Supply current		$I_P$	–	35	50	mA
<b>Colour difference paths</b>						
(R-Y) input voltage (75% colour bar signal) (peak-to-peak value)		$V_{1(p-p)}$	–	1.05	1.5	V
(B-Y) input voltage (75% colour bar signal) (peak-to-peak value)		$V_{2(p-p)}$	–	1.33	1.9	V
<b>Input resistance</b>						
(R-Y)		$R_{1-18}$	8	12	16	k $\Omega$
(B-Y)		$R_{2-18}$	8	12	16	k $\Omega$
<b>Internal bias voltage</b>						
(R-Y)		$V_{1-18}$	3.8	4.3	4.8	V
(B-Y)		$V_{1-18}$	3.8	4.3	4.8	V
<b>Signal attenuation</b>						
(R-Y)		$V_8/V_1$	–1	0	+1	dB
(B-Y)		$V_7/V_2$	–1	0	+1	dB
Output transient time	note 1	$t_{tr}$	–	100	200	ns
<b>Output resistance</b>						
(B-Y)		$R_{7-18}$	–	100	–	$\Omega$
(R-Y)		$R_{8-18}$	–	100	–	$\Omega$
<b>DC output voltage</b>						
(B-Y)		$V_{7-18}$	3.8	4.3	4.8	V
(R-Y)		$V_{8-18}$	3.8	4.3	4.8	V
<b>Output current</b>						
source	note 2	$I_{7,8}$	0.4	–	–	mA
sink		$-I_{7,8}$	1.0	–	–	mA

## Colour transient improvement circuit

## TDA4565

PARAMETER	CONDITIONS	SYMBOL	MIN.	TYP.	MAX.	UNIT
<b>Y-signal path</b>						
Y-input voltage (composite signal) (peak-to-peak value)	capacitive coupling	$V_{17(p-p)}$	–	1	1.4	V
Internal bias voltage	during clamping	$V_{17-18}$	1.3	1.5	1.7	V
Input current						
during picture content		$I_{17}$	–	8	12	$\mu\text{A}$
during sync. pulse		$-I_{17}$	–	100	150	$\mu\text{A}$
Y-signal delay at pin 12	S1 open; $R_{14} = 1.2 \text{ k}\Omega$ ; (notes 3 and 4)					
at $V_{15-18} = 0 \text{ to } 2.5 \text{ V}$		$t_{17-18}$	670	730	790	ns
at $V_{15-18} = 3.5 \text{ to } 5.5 \text{ V}$		$t_{17-18}$	760	820	880	ns
at $V_{15-18} = 6.5 \text{ to } 8.5 \text{ V}$		$t_{17-18}$	850	910	970	ns
at $V_{15-18} = 9.5 \text{ to } 12 \text{ V}$		$t_{17-18}$	940	1000	1060	ns
Fine adjustment of Y-signal delay for all 4 steps	S1 closed	$t_{17-12}$	30	50	70	ns
Signal delay between pin 11 and pin 12	S1 open	$t_{11-12}$	160	180	200	ns
Dependency of delay time on temperature		$\frac{\Delta t_{17-12}}{t_{17-12} \cdot \Delta T_j}$	–	0.001	–	$\text{K}^{-1}$
on supply voltage		$\frac{\Delta t_{17-12}}{t_{17-12} \cdot \Delta V_p}$	–	–0.03	–	$\text{V}^{-1}$
Input switching current		$-I_{15}$	–	15	25	$\mu\text{A}$
Y-signal attenuation	$f = 0.5 \text{ MHz}$					
pin 11 from pin 17		$V_{11}/V_{17}$	5.0	6.5	8.0	dB
pin 12 from pin 17		$V_{12}/V_{17}$	5.0	6.5	8.0	dB
Frequency response at 3 MHz referred to 0.5 MHz	note 5					
pin 11		$\frac{V_{11}(3 \text{ MHz})}{V_{11}(0.5 \text{ MHz})}$	0	–	3.0	dB
pin 12		$\frac{V_{12}(3 \text{ MHz})}{V_{12}(0.5 \text{ MHz})}$	0	–	3.0	dB

## Colour transient improvement circuit

## TDA4565

PARAMETER	CONDITIONS	SYMBOL	MIN.	TYP.	MAX.	UNIT
Frequency response at 5 MHz referred to 0.5 MHz pin 11	note 5	$\frac{V_{11}(5 \text{ MHz})}{V_{11}(0.5 \text{ MHz})}$	-3.0	-	2.0	dB
pin 12		$\frac{V_{12}(5 \text{ MHz})}{V_{12}(0.5 \text{ MHz})}$	-3.0	-	2.0	dB
DC output voltage pin 11		$V_{11-18}$	1.8	2.3	2.6	V
pin 12		$V_{12-18}$	9.8	10.3	10.8	V
Output current source	note 2	$I_{11, 12}$	-	-	0.4	mA
sink		$-I_{11, 12}$	-	-	1.0	mA

**Notes to the characteristics**

1. Output signal transient time measured with  $C_{6-18} = C_{9-18} = 220 \text{ pF}$  without resistor (see Fig.3).
2. Output current measured with emitter follower with constant current source of 0.6 mA.
3.  $R_{14-18}$  influences the bandwidth; a value of 1.2 k $\Omega$  results in a bandwidth of 5 MHz (typ.).
4. Delay time is proportional to resistor  $R_{14-18}$ . Devices with suffix "A" require the value of the resistor to be 1.15 k $\Omega$ ; a 27 k $\Omega$  resistor connected in parallel with  $R_{14-18} = 1.2 \text{ k}\Omega$ .
5. Frequency response measured with  $V_{15-18} = 9.5 \text{ V}$  and switch S1 open.



Colour transient improvement circuit

TDA4565

APPLICATION INFORMATION

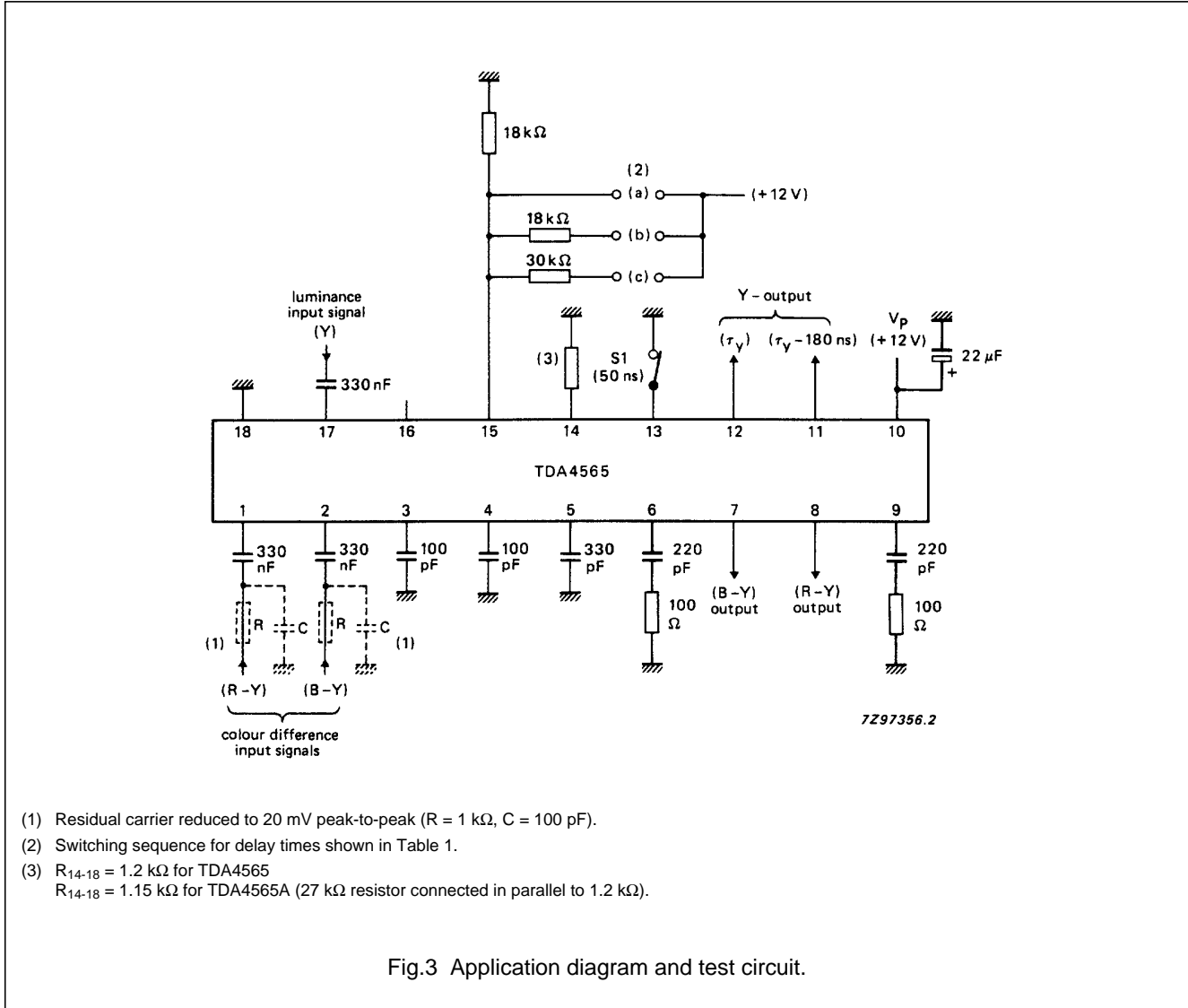


Table 1 Switching sequence for delay times.

CONNECTION (2)			VOLTAGE AT PIN 15	DELAY TIME (ns) (1)
(a)	(b)	(c)		
0	0	0	0 to 2.5 V	730
0	0	X	3.5 to 5.5 V	820
0	X	X	6.5 to 8.5 V	910
X	X	X	9.5 to 12 V	1000

Note

1. When switch (S1) is closed the delay time is increased by 50 ns.
2. Where: X = connection closed; 0 = connection open.

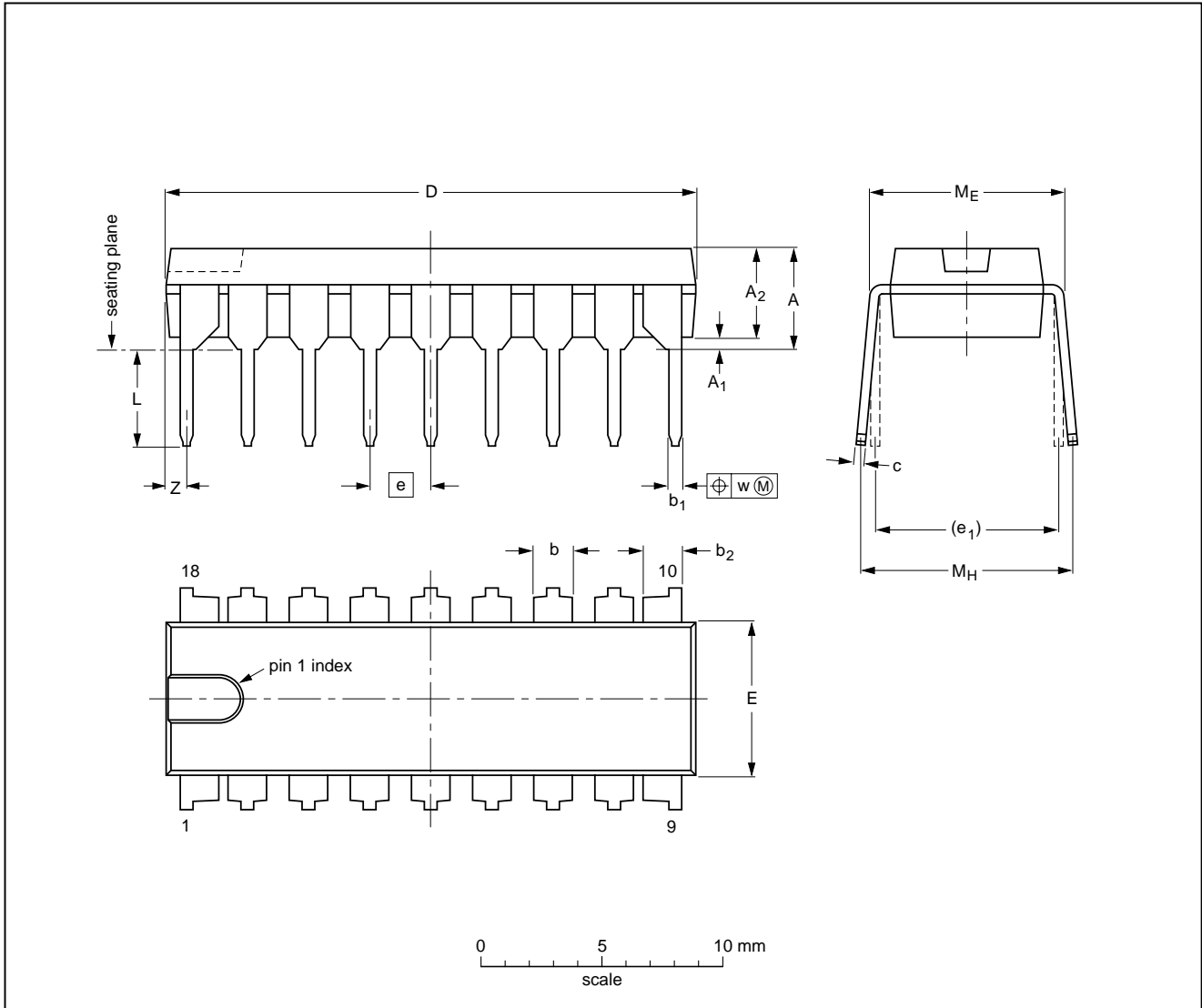
Colour transient improvement circuit

TDA4565

PACKAGE OUTLINE

DIP18: plastic dual in-line package; 18 leads (300 mil)

SOT102-1



DIMENSIONS (inch dimensions are derived from the original mm dimensions)

UNIT	A max.	A <sub>1</sub> min.	A <sub>2</sub> max.	b	b <sub>1</sub>	b <sub>2</sub>	c	D <sup>(1)</sup>	E <sup>(1)</sup>	e	e <sub>1</sub>	L	M <sub>E</sub>	M <sub>H</sub>	w	Z <sup>(1)</sup> max.
mm	4.7	0.51	3.7	1.40 1.14	0.53 0.38	1.40 1.14	0.32 0.23	21.8 21.4	6.48 6.20	2.54	7.62	3.9 3.4	8.25 7.80	9.5 8.3	0.254	0.85
inches	0.19	0.020	0.15	0.055 0.044	0.021 0.015	0.055 0.044	0.013 0.009	0.86 0.84	0.26 0.24	0.10	0.30	0.15 0.13	0.32 0.31	0.37 0.33	0.01	0.033

Note

1. Plastic or metal protrusions of 0.25 mm maximum per side are not included.

OUTLINE VERSION	REFERENCES				EUROPEAN PROJECTION	ISSUE DATE
	IEC	JEDEC	EIAJ			
SOT102-1						93-10-14 95-01-23

## Colour transient improvement circuit

TDA4565

### SOLDERING

#### Introduction

There is no soldering method that is ideal for all IC packages. Wave soldering is often preferred when through-hole and surface mounted components are mixed on one printed-circuit board. However, wave soldering is not always suitable for surface mounted ICs, or for printed-circuits with high population densities. In these situations reflow soldering is often used.

This text gives a very brief insight to a complex technology. A more in-depth account of soldering ICs can be found in our "IC Package Databook" (order code 9398 652 90011).

#### Soldering by dipping or by wave

The maximum permissible temperature of the solder is 260 °C; solder at this temperature must not be in contact with the joint for more than 5 seconds. The total contact time of successive solder waves must not exceed 5 seconds.

The device may be mounted up to the seating plane, but the temperature of the plastic body must not exceed the specified maximum storage temperature ( $T_{stg\ max}$ ). If the printed-circuit board has been pre-heated, forced cooling may be necessary immediately after soldering to keep the temperature within the permissible limit.

#### Repairing soldered joints

Apply a low voltage soldering iron (less than 24 V) to the lead(s) of the package, below the seating plane or not more than 2 mm above it. If the temperature of the soldering iron bit is less than 300 °C it may remain in contact for up to 10 seconds. If the bit temperature is between 300 and 400 °C, contact may be up to 5 seconds.

### DEFINITIONS

Data sheet status	
Objective specification	This data sheet contains target or goal specifications for product development.
Preliminary specification	This data sheet contains preliminary data; supplementary data may be published later.
Product specification	This data sheet contains final product specifications.
Limiting values	
Limiting values given are in accordance with the Absolute Maximum Rating System (IEC 134). Stress above one or more of the limiting values may cause permanent damage to the device. These are stress ratings only and operation of the device at these or at any other conditions above those given in the Characteristics sections of the specification is not implied. Exposure to limiting values for extended periods may affect device reliability.	
Application information	
Where application information is given, it is advisory and does not form part of the specification.	

### LIFE SUPPORT APPLICATIONS

These products are not designed for use in life support appliances, devices, or systems where malfunction of these products can reasonably be expected to result in personal injury. Philips customers using or selling these products for use in such applications do so at their own risk and agree to fully indemnify Philips for any damages resulting from such improper use or sale.

This datasheet has been download from:

[www.datasheetcatalog.com](http://www.datasheetcatalog.com)

Datasheets for electronics components.